



Pattern Collection: Children



Besties

Designed by Rachel Brockman

SIZES

3 mo (6-12 mo, 12-18 mo, 2 yr, 4 yr, 6yr)
Show in 3 mo size.

FINISHED MEASUREMENTS

Chest Circumference (buttoned): 17¼
(18¾, 20, 22, 23½, 25¼)"
Length: 9 (10½, 12, 13¾, 15¼, 16¾)"

MATERIALS

Universal Yarn Adore (55% superwash merino, 45% acrylic; 100g/273 yds)

Sample 1

- 102 Pale Pink (MC) – 1 skein, all sizes
- 112 Coral (CC1) – 1 skein, all sizes
- 104 Powder (CC2) – 1 skein, all sizes

Sample 2

- 109 Chill Blue (MC) – 1 skein, all sizes
- 130 Capri (CC1) – 1 skein, all sizes
- 104 Powder (CC2) – 1 skein, all sizes

Needle: US Size 6 (4 mm) straight and set of DPNs (for sleeves) *or size needed to obtain gauge*

Notions: tapestry needle, stitch holder or waste yarn, stitch marker, 5 (5, 6, 6, 6, 6) ½" buttons

Knit. Relax. Smile. Repeat!

2019 © Universal Yarn, Inc.

All rights reserved.

www.universalyarn.com

This pattern may not be reproduced for business, trade or sale.

GAUGE

20 sts x 40 rows = 4" in garter

PATTERN NOTES

Besties is a delightful duo of striped, garter stitch cardigans designed with little ones in mind. Play with your favorite color combinations and pair the cardigans with a cute set of buttons. Soft and easy to care for, Adore is the perfect yarn for baby and children's projects.

This cardigan is worked from the bottom-up in one piece. The body is worked flat, and the fronts and back are separated at the armholes and worked separately. The shoulders are joined using the three-needle method. Then, sleeve stitches are picked up and worked seamlessly in the round from the top-down. The button bands and neck edging are picked up and worked flat. Finally, a 2-stitch I-cord edging in a contrast color puts the finishing touches on this adorable, striped sweater.

STITCH GUIDE

2-stitch I-Cord Bind-Off

Cast on 2 sts to first st on left ndl using knitted cast-on. * K1, k2tog tbl (1 st bound off), slip these 2 sts back to left ndl; rep from * until all sts have been bound off. Bind off rem 2 I-Cord sts.

Stripe Sequence

(worked flat)

Rows 1-2: With CC1, knit.

Rows 3-4: With CC2, knit.

Rows 5-6: With MC, knit.

Rep Rows 1-6 for patt.

Stripe Sequence

(worked in the round)

Rnd 1: With CC1, knit.

Rnd 2: With CC1, purl.

Rnds 3-4: With CC2, rep Rnds 1-2.

Rows 5-6: With MC, rep Rnds 1-2.

Rep Rnds 1-6 for patt.

CARDIGAN

Hem

With MC, cast on 86 (94, 100, 110, 118, 126) sts.

Row 1 (RS): Knit to end.

Row 2 (WS): Knit to end.

Rep Rows 1-2, 3 (3, 4, 4, 6, 6) more times.

Body

Note: Join CC1 and CC2 as indicated in Stripe Sequence. Do not break yarn at the end of each row. Instead, carry yarn up the end.

Work in Stripe Sequence until piece meas 6 (7, 8, 9, 10, 11)" from cast-on edge, ending with a WS row.

Separate Fronts & Back

Cont as est'd over 18 (20, 22, 23, 25, 27) Right Front sts, bind off 4 (4, 4, 6, 6, 6) underarm sts, cont as est'd over 42 (46, 48, 52, 56, 60) Back sts, bind off 4 (4, 4, 6, 6, 6) underarm sts, cont as est'd over 18 (20, 22, 23, 25, 27) Left Front sts. Place Right Front and Back sts on holder or waste yarn.

Left Front

Cont in Stripe Sequence until piece meas 1¼ (1¼, 2¼, 2¾, 3¼, 3¾)" from Front/Back Separation. Bind off 3 (3, 4, 4, 4, 4) sts at the beg of the next WS row, then bind off 2 (2, 2, 2, 2, 3) sts at the beg of the next WS row, then bind off 1 st at the beg of the next WS row – 12 (14, 15, 16, 18, 19) Left Front sts rem. Cont as est'd, if necessary, until piece meas 3 (3¼, 4, 4¾, 5¼, 5¾)" from Separation. Place sts on holder or waste yarn. Return Back sts to ndl.

Back

Cont in Stripe Sequence until piece meas 3 (3¼, 4, 4¾, 5¼, 5¾)" ending with a WS row.

Next Row (RS): K12 (14, 15, 16, 18, 19) Right Back sts, bind off 18 (18, 18, 20, 20, 22) neck sts, K12 (14, 15, 16, 18, 19) Left Back sts. Place Right and Left Back sts on holder or waste yarn. Return Right Front sts to ndl.

Right Front

Cont in Stripe Sequence until piece meas 1¼ (1¼, 2¼, 2¾, 3¼, 3¾)" from Front/Back Separation, ending with a WS row. Bind off 3 (3, 4, 4, 4, 4) sts at the beg of the next RS row, then bind 2 (2, 2, 2, 2, 3) sts at the beg of the next RS row, then bind off 1 st at the beg of the next RS row – 12 (14, 15,

Knit. Relax. Smile. Repeat!

2019 © Universal Yarn, Inc.

All rights reserved.

www.universalyarn.com

This pattern may not be reproduced for business, trade or sale.

16, 18, 19) Right Front sts rem. Cont as est'd, if necessary, until piece meas 3 (3¼, 4, 4¾, 5¼, 5¾)" from separation.

With RS facing tog, join Right Front and Right Back sts using the three-ndl method. Rep for Left Front and Left back sts.

Sleeves

With dpns, RS facing, and beg at center of underarm, pick up and knit 30 (33, 35, 38, 40, 43) sts evenly along armhole. PM and join to knit in the rnd, being careful not to twist. Work Rnds 1-6 of Stripe Sequence.

Shape Sleeves

Dec Rnd: K1, k2tog, cont as est'd to last 3 sts, ssk, k1 – 2 sts dec'd, 28 (31, 33, 36, 38, 41) sts rem. Rep Dec Rnd every 8 (8, 10, 12, 16, 14) rnds, 2 (4, 4, 2, 0, 4) more times, then rep Dec Rnd every 6 (6, 8, 10, 14, 12) rnds, 1 (0, 0, 3, 5, 2) time(s) – 6 (8, 8, 10, 10, 12) sts dec'd, 22 (23, 25, 26, 28, 29) sts rem.

Work even as est'd until Sleeve meas 4 (5, 6, 7½, 9½, 10½)" from underarm, and ending with Rnd 4 of Stripe Sequence patt. Break CC1 and CC2, cont with MC only.

Cuff

Rnd 1: Knit.

Rnd 2: Purl.

Rep Rnds 1-2, until Sleeve meas 5 (6, 7, 8½, 10½, 11½)" from underarm. Bind off all sts in patt.

FINISHING

Block to finished measurements and weave in ends.

Left Button Band

With MC and RS facing, at Left-Front neck bind-off edge, pick up and knit 44 (50, 60, 68, 76, 82) sts evenly along Left Front edge.

Rows 1-12: Knit. Bind off all sts kwise.

Right Button Band

Note: One Row 5, the double yarn-overs are worked with the preceding stitch and first stitch following the double yarn-overs. Work the first stitch as: ssk. Work the second stitch following the double yarnover as: k2tog.

With RS facing and MC, beg at the bottom Right Front, pick up and knit 44 (50, 60, 68, 76, 82) sts evenly along Right Front edge.

Row 1 (WS): Knit.

Row 2 (RS): Knit.

Row 3: Knit.

Row 4 (Buttonhole Row): Cont as est'd over 5 (6, 6, 8, 10, 11) sts, [yo] 2 times, {work in patt for 9 (10, 10, 11, 12, 13) sts, [yo] 2 times} 4 (4, 5, 5, 5, 5) more times, cont as est'd over 3 (4, 4, 5, 6, 6) sts – 5 (5, 6, 6, 6, 6) button holes.

Row 5 (Buttonhole Row): Cont as est'd to 1 st bef the first double yo, [work next st and the first yo tog, then work the second yo and foll st tog, cont as est'd for 8 (9, 9, 10, 11, 12) sts] 4 (4, 5, 5, 5, 5) more times, cont as est'd to end.

Rows 6-12: Knit. Bind off all sts kwise.

Neck Edge

With MC and RS facing, beg at Right Front button band, pick up and knit 5 sts along Right Button Band, pick up and knit 13 (13, 15, 15, 15, 15) sts along Right Front neck edge, pick up and knit 18 (18, 18, 20, 20, 22) Back Neck sts, pick up and knit 13 (13, 15, 15, 15, 15) along Left Front neck edge, pick up and knit 5 sts along Left Button Band – 54 (54, 58, 60, 60, 62) sts.

Rows 1-5: Knit. Bind off all sts kwise.

With CC1, pick up and knit 142 (154, 178, 196, 212, 226) sts evenly along Left Button Band, Neck Edge, and Right Button Band. Loosely bind off all sts using the I-cord method.

Weave in rem ends.

Knit. Relax. Smile. Repeat!

2019 © Universal Yarn, Inc.

All rights reserved.

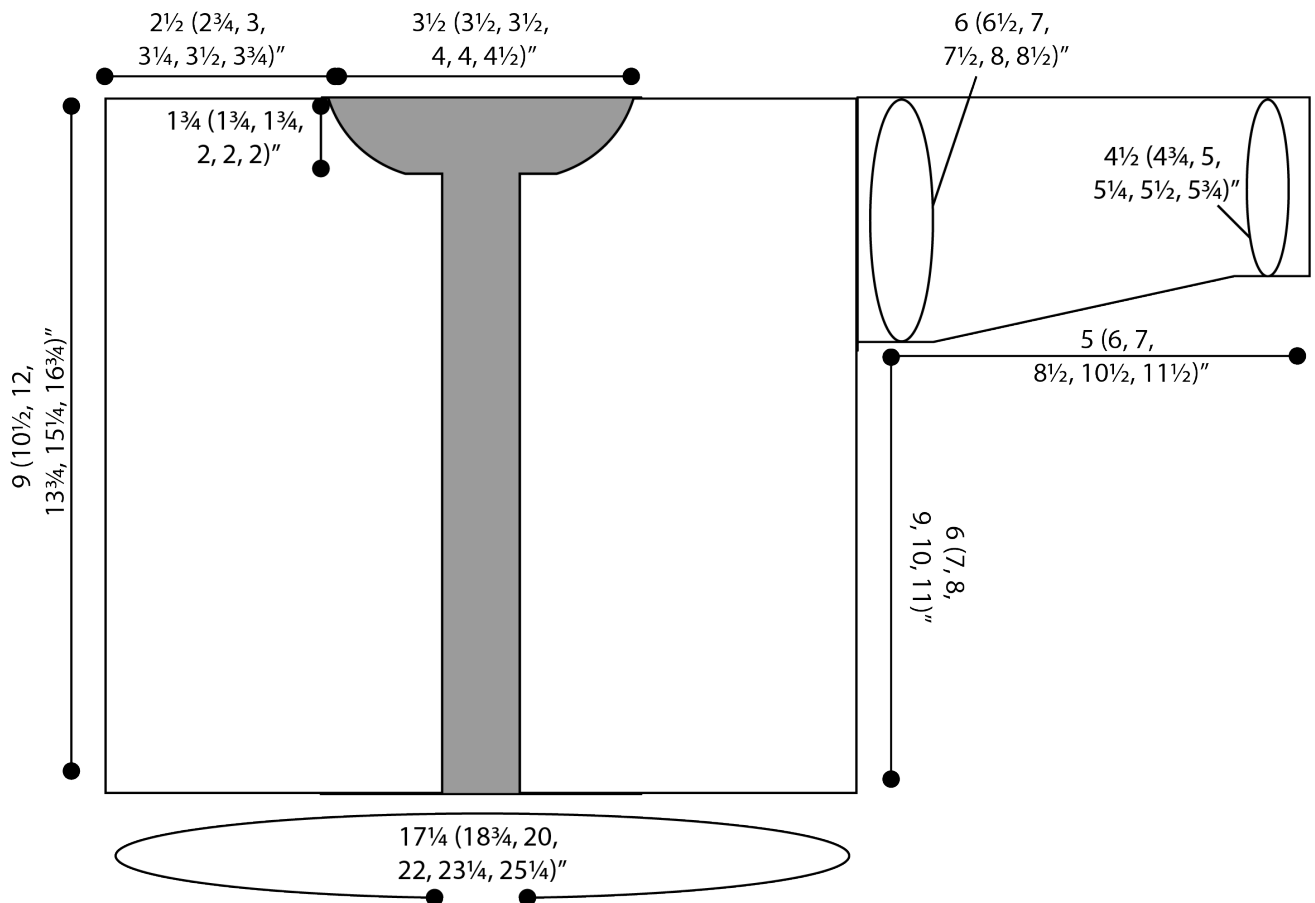
www.universalyarn.com

This pattern may not be reproduced for business, trade or sale.

Abbreviations

bef before
beg begin(ning)
CC contrast color
cont continue
dec('d) decrease(d)
dpn(s) double pointed needle(s)
est'd established
folll follow
garter st knit every row
k knit
k2tog knit 2 stitches together (1 st dec'd)
kwise knitwise
m marker
MC main color
meas measures
ndl needle
p purl
patt pattern

pm place marker
rem remain(ing)
rep repeat
rnd round
RS right side
ssk slip next 2 sts individually knitwise, slip them back to left needle in this position, knit them together through the back loops (1 st dec'd)
st(s) stitch(es)
tog together
WS wrong side
yo yarn over



Knit. Relax. Smile. Repeat!

2019 © Universal Yarn, Inc.

All rights reserved.

www.universalyarn.com

This pattern may not be reproduced for business, trade or sale.